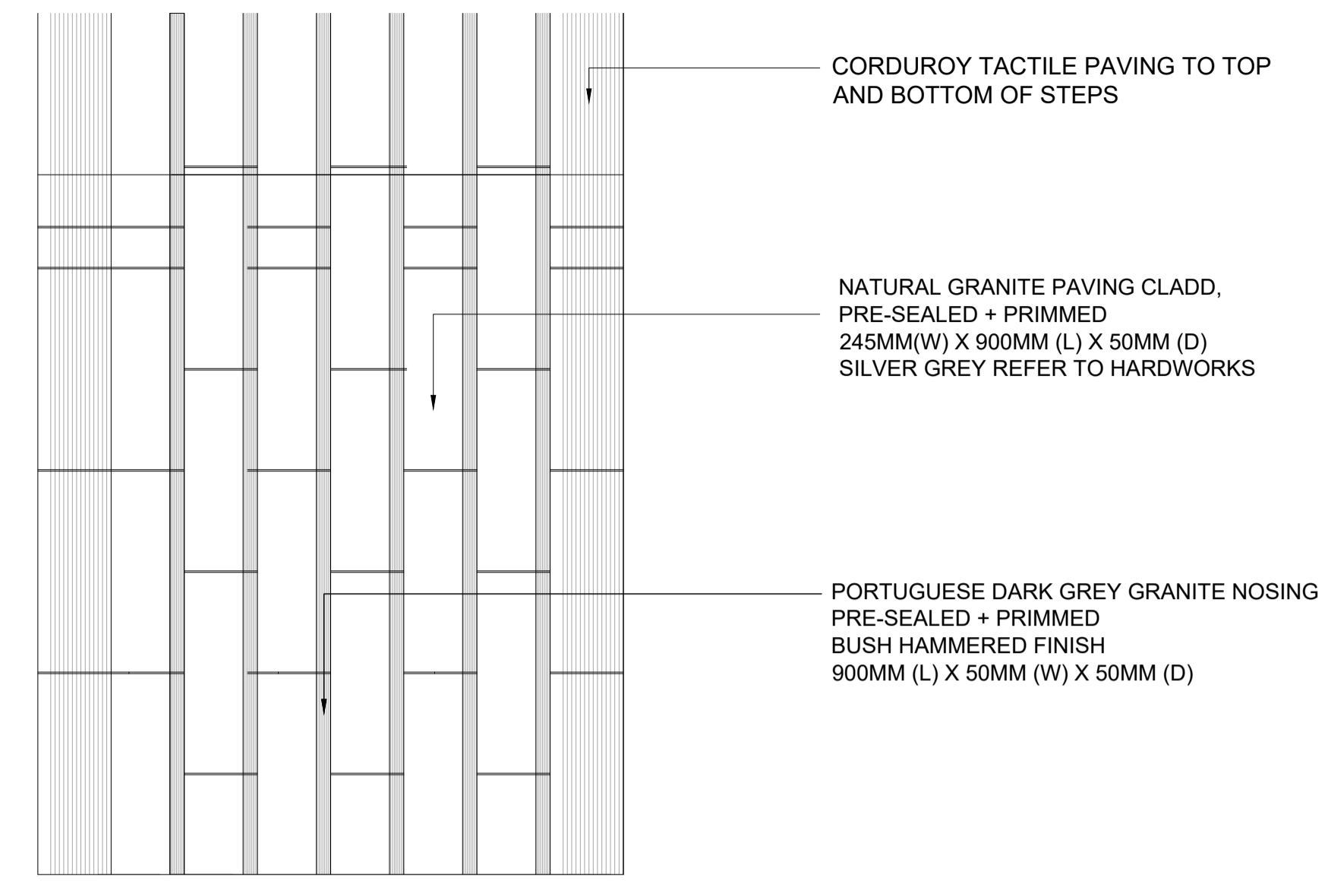
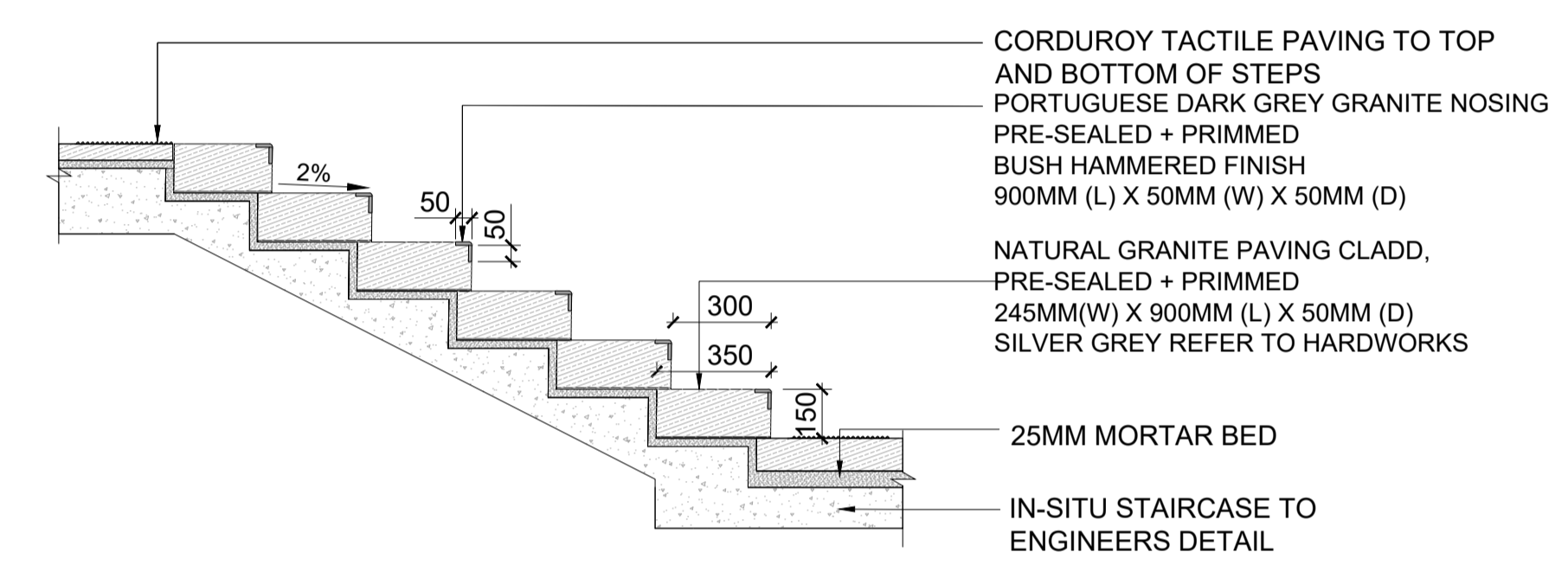


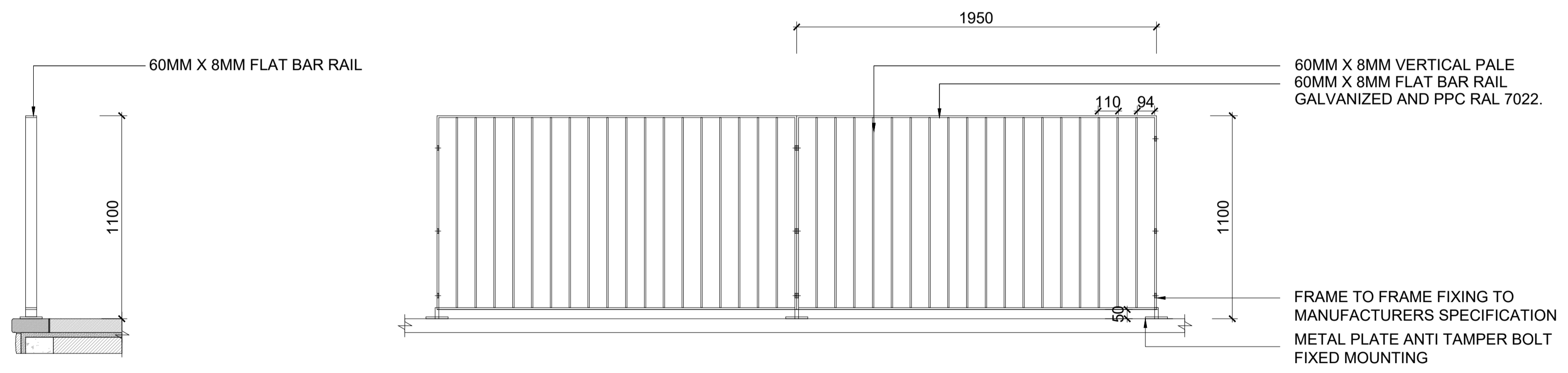
01 R1: TYPICAL RIMINI STAIRCASE RAILING
SCALE: 1:20@A1



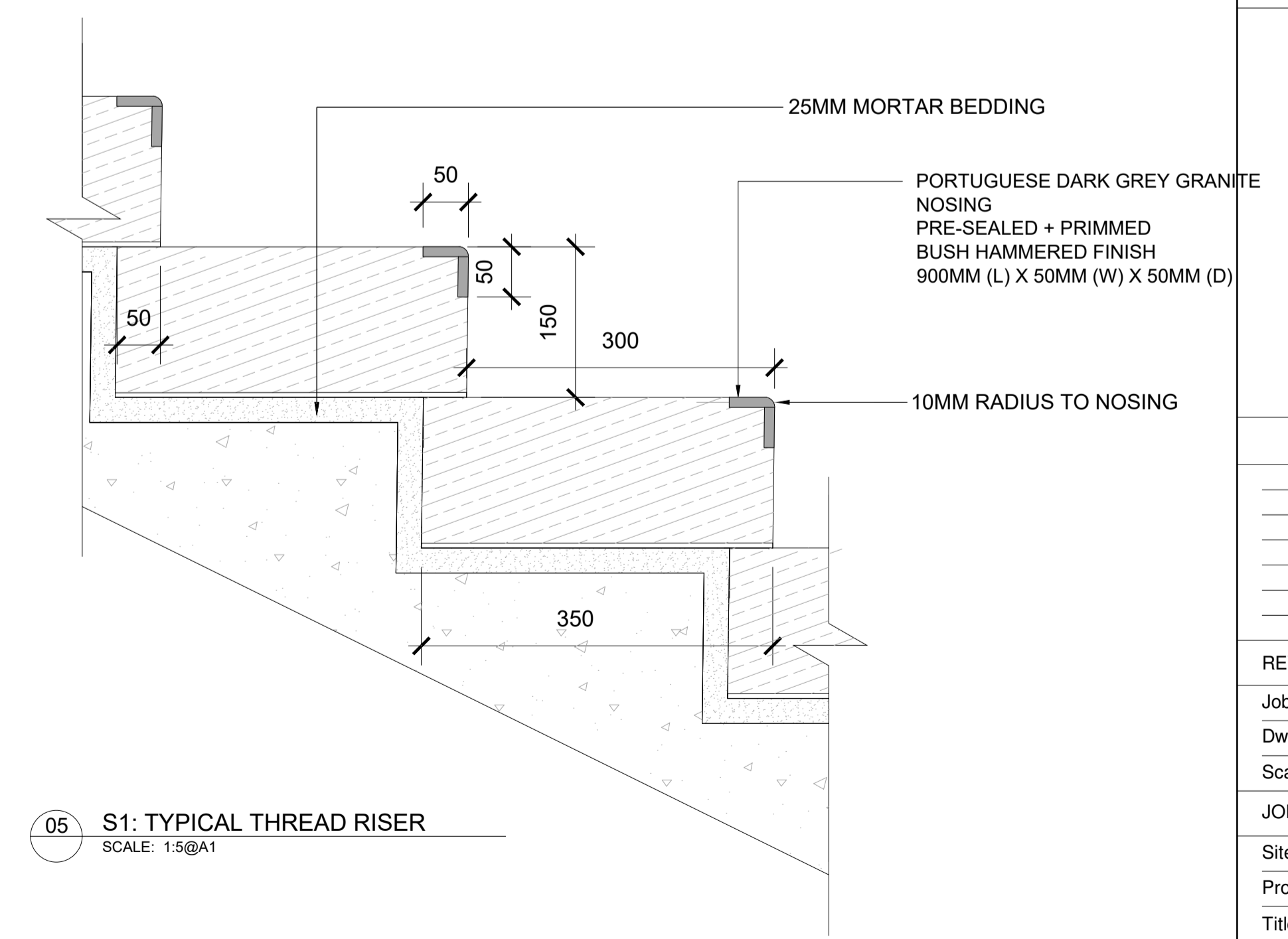
02 S1: TYPICAL STAIRCASE PLAN
SCALE: 1:20@A1



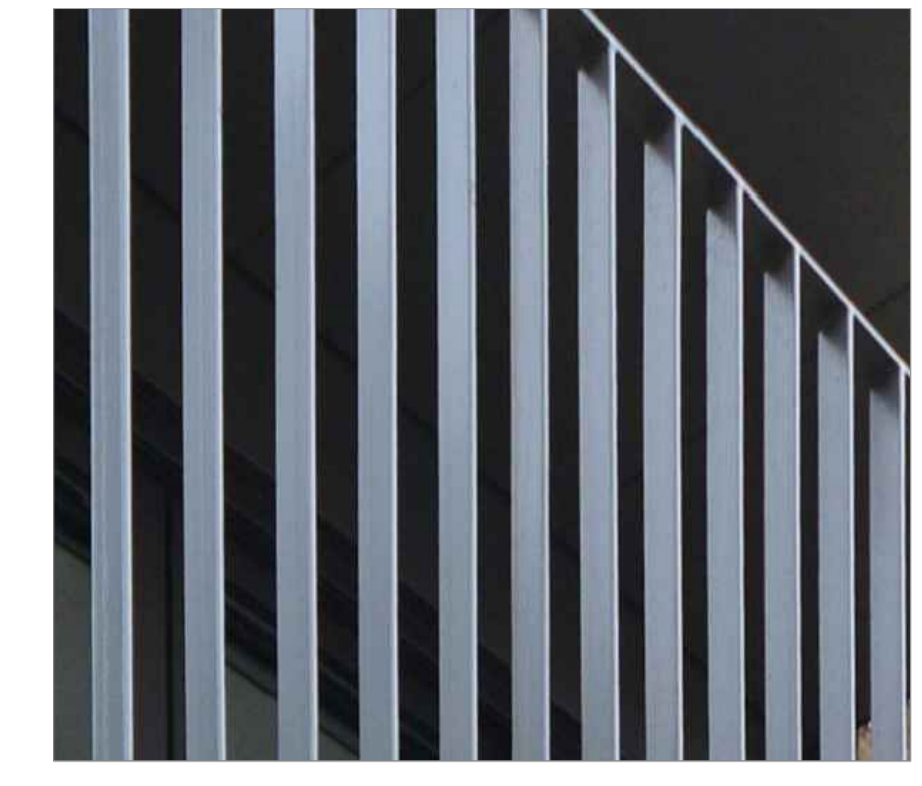
03 S1: TYPICAL STAIRCASE CROSS SECTION
SCALE: 1:20@A1



04 R2: TYPICAL 1800 MM HEIGHT GATE DETAIL
SCALE: 1:20@A1



05 S1: TYPICAL THREAD RISER
SCALE: 1:5@A1



06 TYPICAL RAILING



07 TYPICAL RAILING AT STAIR

NOTE
ALL DIMENSIONS TO BE CHECKED ON SITE
NO DIMENSIONS TO BE SCALED FROM THIS DRAWING
THIS DRAWING IS TO BE READ IN CONJUNCTION WITH
RELEVANT CONSULTANTS DRAWINGS
NO PART OF THIS DOCUMENT MAY BE REPRODUCED OR
TRANSMITTED IN ANY FORM OR STORED IN ANY RETRIEVAL
SYSTEM OF ANY NATURE WITHOUT THE WRITTEN PERMISSION
OF THE LANDSCAPE ARCHITECT AS COPYRIGHT HOLDER EXCEPT
AS AGREED FOR USE ON THE PROJECT FOR WHICH THE
DOCUMENT WAS ORIGINALLY ISSUED.
FOR DRAWING INDEX, GENERAL NOTES, REFER TO
DWG L1-001

CLIENT:
Sandyford Environmental Construction Limited



REVISIONS			
Job No.	18A5A	Drawn By	LB
Dwg No.	T-L1-903	Checked By	JM
Scale	N/A @A1	Date	MARCH 2022

JOB DESCRIPTION	
Site	RAVENS ROCK ROAD
Project	TACK SANDYFORD SHD
Title	STAIRS & RAILINGS